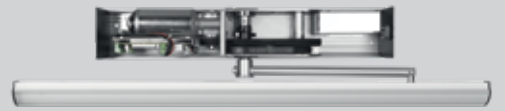


**SLIDER 2.0**



**UP 2.0**



# SLIDER 2.0

AUTOMATIC DOOR



SLIDER 150  
SLIDER 200



## SLIDER 2.0 TECHNOLOGY.

You can:

1. Access and modify the door parameters directly on the control panel with display, without having to use an external programmer.
2. See the number of cycles performed
3. See the last 10 alarms occurred
4. Use 3 different electric locks and multi-function switches with knob or key.
5. Interlock the movements of two doors easily.
6. Perform an installation in compliance with the EN16005 standards
7. Obtain significant energy savings during stand-by (3W only) and during operation.

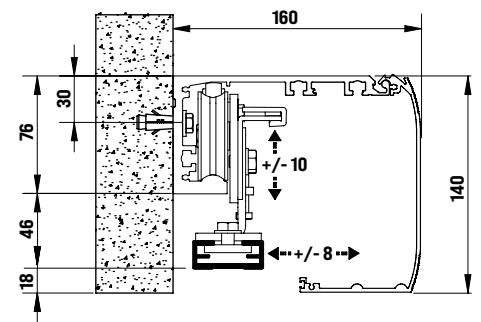


## TECHNICAL DATA

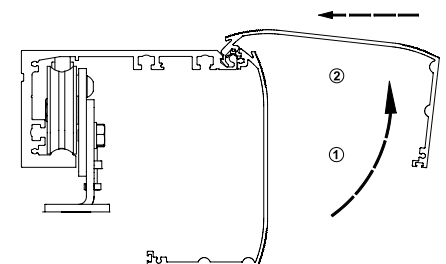
Modularity and compactness. An easy-to-install method that makes the installation procedure run incredibly smoothly.

Technical devices that allow a performing and user-friendly approach.

- Sliding carriages with anti-derailment device and several possible adjustments
- Tamper-proof locking screws
- Carter automatic lock in open position
- Reversible motor reducers and transmission units
- Easy-to-access connection terminal blocks
- Visible display to help safeties and opening commands checks.
- 100 ÷ 240V 50/60 Hz power supply with switching full-range technology
- 3W - low-consumption standby power
- Selflearning of calibration and working parameters
- Built-in batteries charger
- Synchronized management of low-power electromechanical lock
- Positioning encoder and obstacle detection.
- Permits to create a system conform to new norm EN16005 adding EN 16005 - DIN 18650, EN 13849-1 PL "c" CAT 2 and EN 12978 Certified Safety Devices.



Dimensions in mm



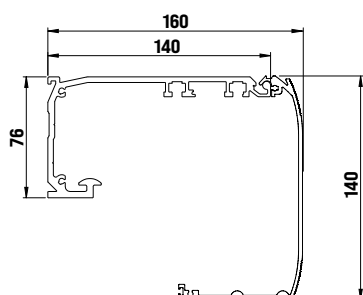
Cover opens easily to help installation job  
1 Cover opening movement  
2 Cover stopped open

TECHNICAL DATA	SLIDER 150	SLIDER 200
Power supply	full range 100 ÷ 240 Vac 50/60 Hz	
Absorption at rest	3 W	
Maximum absorption	70 W	
Accessories power	24 Vdc = 1 A max	
Max speed 1 sliding door	0,8 m/s	
Max speed 2 sliding doors	1,6 m/s	
Max weight 1 sliding door	150 Kg	200 Kg
Max weight 2 sliding doors	80+80 Kg	130+130 Kg
Service	100%	
Operating temperature	-15°C / +50°C	
Protection degree	IP20	

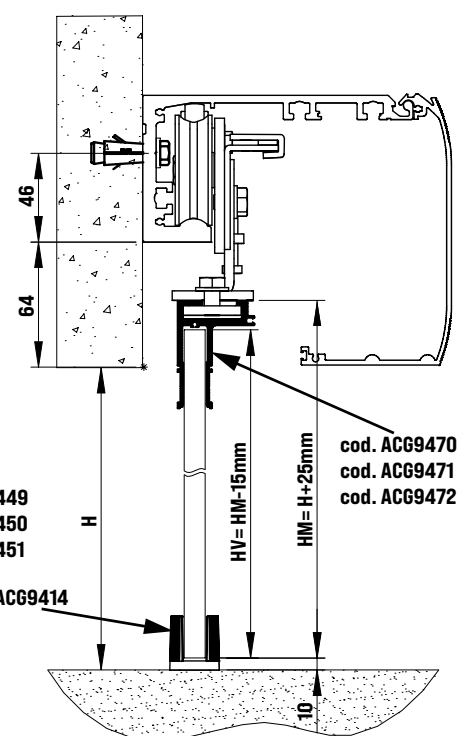
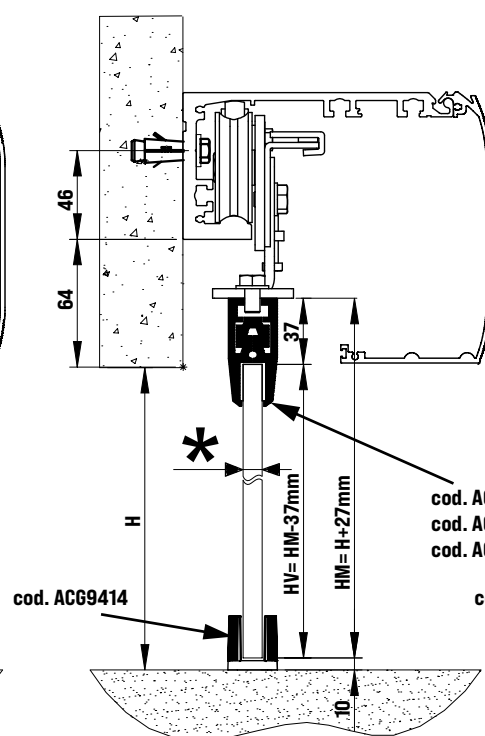
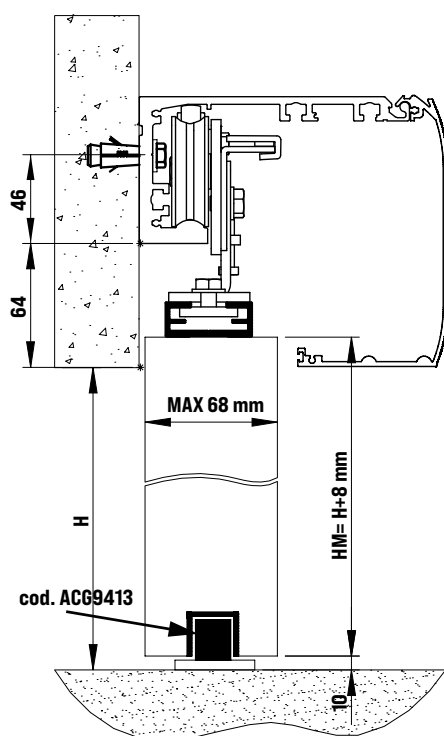
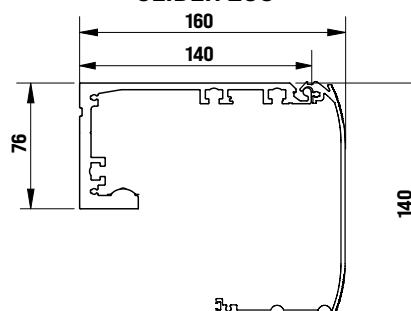


167

SLIDER 150



SLIDER 200



GAR0066 Warranty extension 4 years for SLIDER 150  
 GAR0067 Warranty extension 7 years for SLIDER 150

GAR0068 Warranty extension 4 years for SLIDER 200  
 GAR0069 Warranty extension 7 years for SLIDER 200

# OPERATOR SELECTION CHART ON THE BASIS OF THE WIDTH OF THE OPENING OF THE ENTRANCE

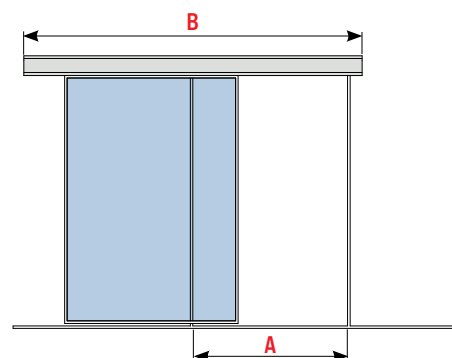
## SLIDER 150 - 1 SLIDING DOOR 150 Kg

AA90010B	AA90012B	AA90014B	AA90016B	AA90018B	AA90020B	AA90022B	AA90002B	AA90004B
----------	----------	----------	----------	----------	----------	----------	----------	----------

## SLIDER 200 - 1 SLIDING DOOR 200 Kg

AA90024B	AA90026B	AA90028B	AA90030B	AA90032B	AA90034B	AA90036B	AA90046B	AA90048B
----------	----------	----------	----------	----------	----------	----------	----------	----------

A	900	1.000	1200	1400	1600	1800	2050	2450	3050
B	1900	2100	2500	2900	3300	3700	4200	5000	6200



A room clearance  
B total length automation

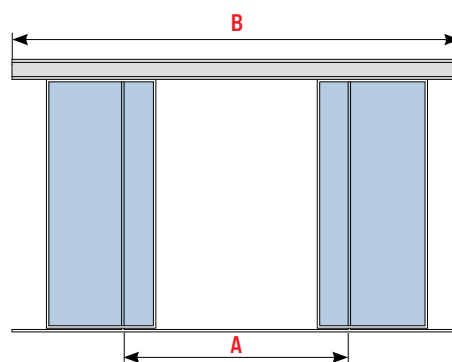
## SLIDER 150 - 2 SLIDING DOORS 80+80 Kg

AA90011B	AA90013B	AA90015B	AA90017B	AA90019B	AA90021B	AA90023B	AA90003B	AA90005B
----------	----------	----------	----------	----------	----------	----------	----------	----------

## SLIDER 200 - 2 SLIDING DOORS 130+130 Kg

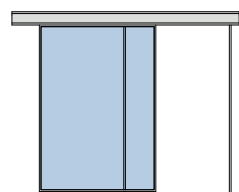
AA90025B	AA90027B	AA90029B	AA90031B	AA90033B	AA90035B	AA90037B	AA90047B	AA90049B
----------	----------	----------	----------	----------	----------	----------	----------	----------

A	450+450	500+500	600+600	700+700	800+800	900+900	1025+1025	1225+1225	1525+1525
B	1900	2100	2500	2900	3300	3700	4200	5000	6200

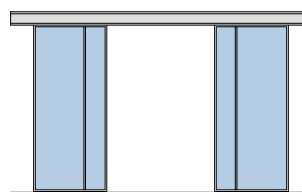


A room clearance  
B total length automation

## SLIDER 150 COMPLETE SLIDING DOORS



SLIDER 150 1 door complete  
AA90010B L 1900 mm  
AA90012B L 2100 mm  
AA90014B L 2500 mm  
AA90016B L 2900 mm  
AA90018B L 3300 mm  
AA90020B L 3700 mm  
AA90022B L 4200 mm  
AA90002B L 5000 mm  
AA90004B L 6200 mm



SLIDER 150 2 doors complete  
AA90011B L 1900 mm  
AA90013B L 2100 mm  
AA90015B L 2500 mm  
AA90017B L 2900 mm  
AA90019B L 3300 mm  
AA90021B L 3700 mm  
AA90023B L 4200 mm  
AA90003B L 5000 mm  
AA90005B L 6200 mm

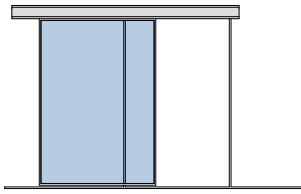
Example of standard configuration:

AA90010B	SLIDER 150 1 door complete L 1900 mm	
ACG9420B	Internal microwave radar	
ACG9420B	External microwave radar	
ACG9429B	Multifunction switch	
	TOTAL	

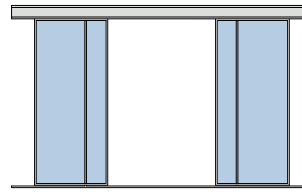
Example of EN16005 configuration:

AA90010B	SLIDER 150 1 door complete L 1900 mm	
ACG9460	Internal EN radar	
ACG9460	External EN radar	
ACG9429B	Multifunction switch	
	TOTAL	

## SLIDER 200 COMPLETE SLIDING DOORS



SLIDER 200 1 door complete  
 AA90024B L 1900 mm  
 AA90026B L 2100 mm  
 AA90028B L 2500 mm  
 AA90030B L 2900 mm  
 AA90032B L 3300 mm  
 AA90034B L 3700 mm  
 AA90036B L 4200 mm  
 AA90046B L 5000 mm  
 AA90048B L 6200 mm



SLIDER 200 2 doors complete  
 AA90025B L 1900 mm  
 AA90027B L 2100 mm  
 AA90029B L 2500 mm  
 AA90031B L 2900 mm  
 AA90033B L 3300 mm  
 AA90035B L 3700 mm  
 AA90037B L 4200 mm  
 AA90047B L 5000 mm  
 AA90049B L 6200 mm

Example of standard configuration:

AA90024B	SLIDER 200 1 door complete L 1900 mm	
ACG9420B	Internal microwave radar	
ACG9420B	External microwave radar	
ACG9429B	Multifunction switch	
	TOTAL	

Example of EN16005 configuration:

AA90024B	SLIDER 200 1 door complete L 1900 mm	
ACG9460	Internal EN radar	
ACG9460	External EN radar	
ACG9429B	Multifunction switch	
	TOTAL	

## COVER FIXING BRACKETS



**ACG9461 COVER FIXING BRACKETS**  
 To be applied instead of the side plates to lock the cover in position

## FLOOR GUIDE



**ACG9403 Floor guide**  
 1 for each door  
 L door+10cm  
 each m



**ACG9413 Support for floor guide**  
 1 for each door

## KIT CRYSTAL DOOR ATTACHMENTS



**KIT GLASS DOOR ATTACHMENTS** for tempered glass with thickness 10/11 mm and max weight 80 Kg.  
 ACG9449 L 1.000 mm  
 ACG9450 L 1.500 mm  
 ACG9451 L 2.000 mm



**KIT GLASS DOOR ATTACHMENTS** for tempered glass to drill - with thickness max 10/12 mm and weight over 80 Kg.  
 ACG9470 L 1.000 mm  
 ACG9471 L 2.000 mm



**ACG9414 Floor guide**  
 for tempered glass door with thickness max 10 mm

## ANTI-PANIC KIT



**ACG9452 Anti-panic Kit with Profiles L=2m**



**ACG9453B Anti-panic Kit with Profiles L=2m and photo beams**

## BATTERIES



**ACG9480 BATTERY KIT**  
for SLIDER 2.0  
with cables, protection fuse,  
batteries and mounting plate

## MULTIFUNCTION ROTARY SWITCH



**ACG9429B Multifunction rotary switch**  
wall-mounted/embedded  
IP 54  
80x90x37



**ACG9426B Multifunction rotary switch with key**  
wall-mounted/embedded  
IP 54  
80x90x37

## WIRED KEYPAD



**ACG5523 Wired keypad**  
White, Scratchproof, IP65  
72x72x11,6 mm



**ACG5522 Wired keypad**  
Black, Scratch resistant, with  
capacitive TOUCH, backlit, IP65  
72x72x11,6 mm

**VANDAL-PROOF KEYPADS**, for example to operate the opening of a gate or any door.  
It connects with only 2 wires.



**ACG5525 Control card for 1 or 2 wired keypads**  
Power supply: 230 V ac - 24 V ac/  
dc  
140x128x49 mm

**MAXIMUM NUMBER OF USERS THAT CAN BE STORED: 50**  
The control board has 2 relays with 5A contacts: COM-NO-NC

## KIT ELECTRIC LOCK



**ACG9454B KIT ELECTRIC LOCK "return"** - Locks the doors closing by acting on the belt (at each door closing, during night stop or at each partial opening)



**ACG9462B KIT ELECTRIC LOCK "central"** - Mechanically locks the doors in closing (each time door closing or during night stop)



**ACG9487B KIT ELECTRIC LOCK "emergency"** - In case of power failure or door failure, the leaves can be moved manually



**ACJ9071 STRONG-BOX FLAT** wall mounted (special lock) IP 54 with 1 rocker switch and electric lock release 128x150x42



**ACJ9078 STRONG-BOX STONE** to embed (special lock) IP 54 with 1 rocker switch and electric lock release 142x106x80



## INDUCTION CONTROL



**ACG5527 NO-TOUCH** button for automatic doors.

Detection distance: 5 ÷ 40 cm  
 Degree of protection: IP 55  
 Operating temperature: -20 ° C ÷ + 60 ° C  
 Operation: Microwave.  
 Power supply: 12 - 24 V ac / dc



EN16005 - DIN 18650  
EN 12978  
EN 13849-1:2008  
PL "c" CAT.2



**ACG9460 Active Infrared with background analysis + microwaves RADAR - for standard sliding doors - Unidirectional detection - IP 54 - Plug and play - pre-adjusted in factory With cable 2,5 m long Max. fitting height 3,5 m -25 ÷ +55 °C**



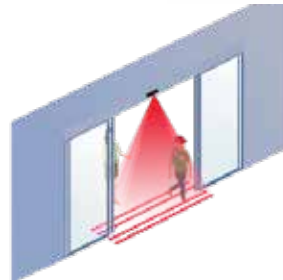
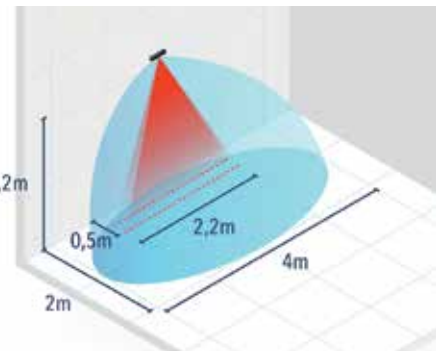
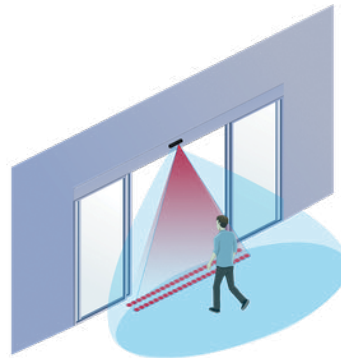
- Opening and presence detection for pedestrian and vehicles
- Due to the unidirectionality, the duration of the door opening cycle is shorter, which reduces heat loss from the building and saves energy.
- Safety thanks to a double infrared curtains in front of the door
- Comfort and protection for both pedestrians and vehicles
- Ideal solution for doors up to 3,5 m
- Dim. 275x55x60mm

**Microwave technology: motion detection**

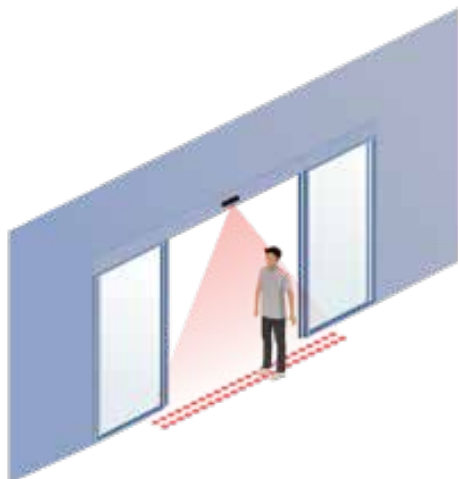
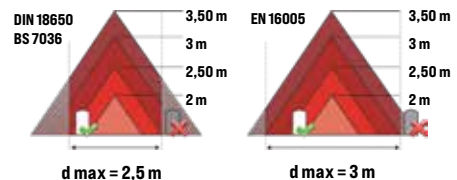
- Technology adapted for industrial environments
- Area detection of 4 m × 2m (at a 2,2 m mounting height)
- Immunity against rain and snow
- "Unidirectional" movement for opening: The door opens if a person walks towards it. The door does not open if a person is walking by from one side of the door to the other ( e.g. like pedestrians passing by on the street).

**Infrared technology: presence detection**

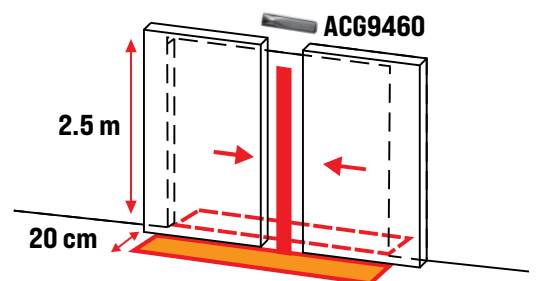
- 48 high-density infrared spotlights from 2 curtains protect users from any contact with the doors.
- A 32-bit microprocessor optimises the processing of information coming from the environment, ensuring a stable performance throughout the year.
- Door remains open when a vehicle or person is standing still in the detection field
- Area detection of 2,2 m × 0,5 m (at a 2,2 m mounting height)
- Intuitive configuration thanks to an LCD screen with choice of language.
- 10 adjustment options for the IR curtains.
- Lateral orientation from -15° to +15° for the radar antenna.
- 4 red spotlights visible on the ground to adjust the angle of the failsafe curtain.
- Adjustment of presence detection time



Mounting height	Detection width
2.00 m	2.00 m
2.20 m	2.20 m
2.50 m	2.50 m
3.00 m	d max
3.50 m	d max



The size of the detection field varies according to the mounting height and the settings of the sensor. The full door width must be covered.



## RADAR FOR SAFETY



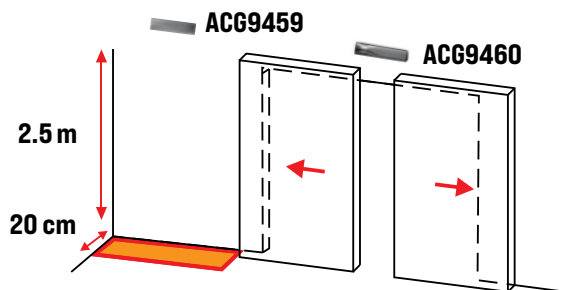
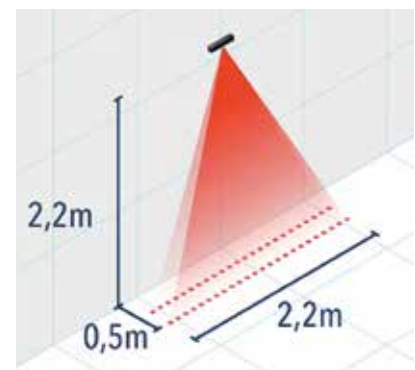
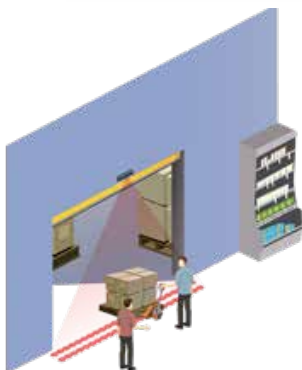
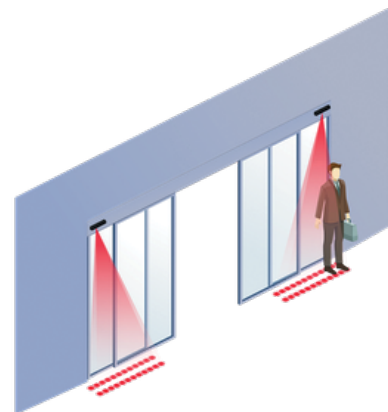
EN16005 - DIN 18650  
EN 12978  
EN 13849-1:2008  
PL "c" CAT.2



### ACG9459 ACTIVE INFRARED RADAR

- to protect side area of the door in case it opens against a wall - IP 54 - Plug and play - With cable 2,5 m long - Max. fitting height 3,5 m -  $-25 \div +55^{\circ}\text{C}$

- Active infrared with background analysis and self-monitoring
- Safe thanks to double 3D-infrared-curtains
- Intuitive configuration thanks to an LCD screen with choice of language
- 4 red spotlights visible on the ground to adjust the angle of the failsafe curtain.
- Active infrared with analysis of the background
- 48 high-density, infrared spotlights from 2 curtains protect users from any contact with the doors.
- A 32-bit microprocessor optimises the processing of information coming from the environment, ensuring a stable performance throughout the year.
- Infrared detection area  $2,2 \text{ m} \times 0,5 \text{ m}$  @  $2,2 \text{ m}$
- 10 possible widths of IR curtains, for optimum coverage of the door opening.
- Higher confort and protection for pedestrians and vehicles
- Dim.  $275 \times 55 \times 60 \text{ mm}$



## REMOTE CONTROL



ACG9491 REMOTE CONTROL to adjust the ACG9459 and ACG9460 RADARS

## RADAR FOR COMMAND



ACG9420B MICROWAVE RADAR  
adjustable from  $0 \div 45^{\circ}$   
Fitting height H  $1,8 \div 4 \text{ m}$   
 $24,125 \text{ GHz}$  -  $-20 \div +60^{\circ}\text{C}$   
IP 54 -  $120 \times 64 \times 44$

## PHOTOBEAMS



ACG9441C Pair of photobeams  
with cable 7 m long

# UP 2.0

## AUTOMATIC SWINGING DOOR



### THE ENERGY SAVING TECHNOLOGY OF UP

It allows an installation complying with the new norms EN16005 and a conspicuous saving of energy for the end user (only 3W) when in stand-by, but also during the standard operation.

It has a control panel quick and easy to program.

Its encoder permits to detect the leaf position and the obstacles presence with precision.

UP 2.0 can manage a swing door which opens left-side, right-side, inside and outside.

### FOR A LEAF UP TO 1,5 m LONG AND WEIGHING UP TO 250 Kg

AA12050B UP 2.0 for external opening - complete with articulated arm

AA12052B UP 2.0 for internal opening - complete with sliding arm



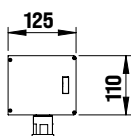
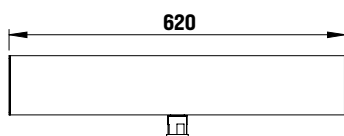
Articulated arm  
for external opening



Sliding arm  
for internal opening

GAR0070 Warranty extension 4 years for UP 2.0

GAR0071 Warranty extension 7 years for UP 2.0



Dimensions in mm

TECHNICAL DATA	UP 2.0
Opening/closing time	1,5÷8 s / 90°
Maximum torque	45 Nm
Power supply	full range 100 ÷ 240 Vac 50/60 Hz
Stand-by Absorption	3 W
Maximum Absorption	70 W
Accessories power supply	24 Vdc = 1 A max
Service	100%
Operating temperature	-15 °C ÷ +50 °C
Actuator weight	10 Kg
Protection degree	IP 31



167

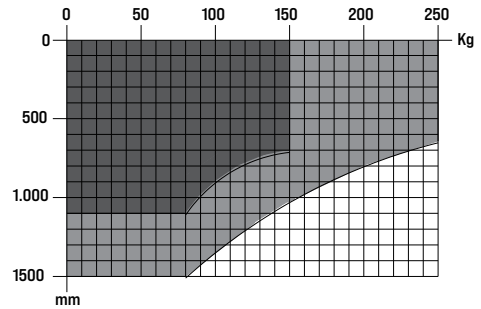
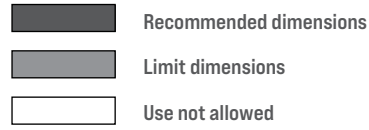
Using the automation with the maximum weight could reduce its performances.

The frequency of use is only indicative.

Data are collected under average conditions of use and cannot be defined for each single case.

Each automatic access may be affected by variable elements such as: friction, balancing and environmental factors which may substantially alter both the duration and the performance characteristics of the automatic access or parts thereof.

The installer shall be responsible for adopting suitable safety conditions for each particular installation.



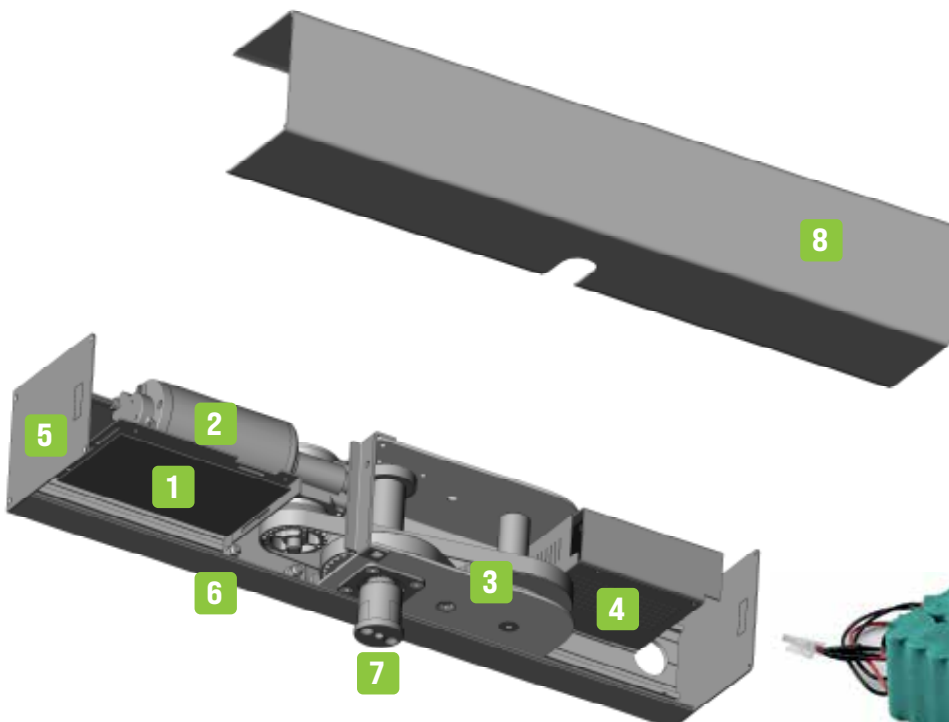
## TECHNICAL DATA

Modularity and compactness. An easy-to-install method that makes the installation procedure run incredibly smoothly.

Technical devices that allow a performing and user-friendly approach.

- Tamper-proof locking screws
- Reversible motor reducers and transmission units
- Easy-to-access connection terminal blocks
- Visible leds to help safeties and opening commands checks.

- 100÷240V 50/60 Hz power supply with switching full-range technology
- 3W - low-consumption standby power
- Selflearning of calibration and working parameters
- Built-in batteries charger
- Synchronized management of low-power electromechanical lock
- Positioning encoder and obstacle detection.
- Permits to create a system conform to new norm EN16005 adding EN 13849-1 PL "c" CAT 2 and EN 12978 Certified Safety Devices.



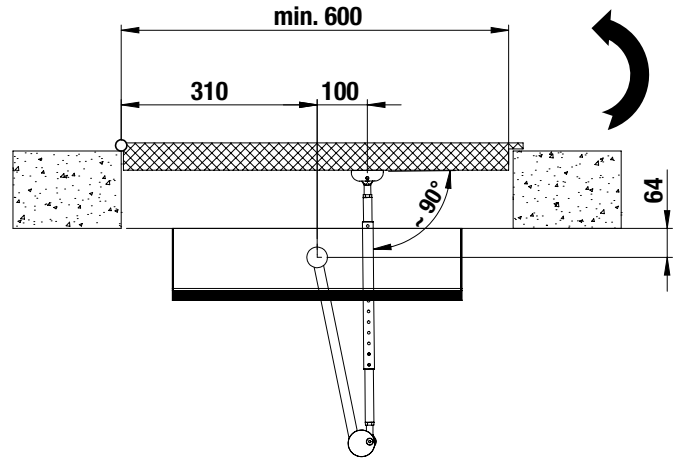
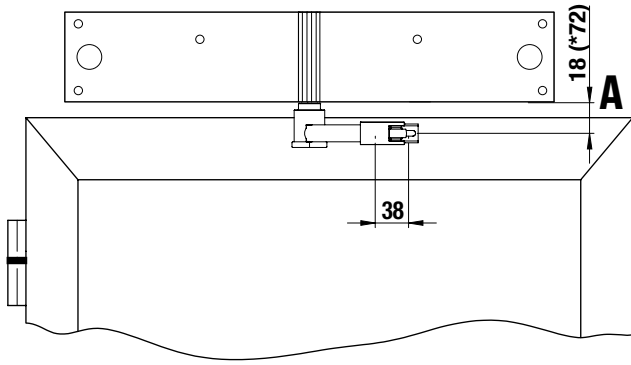
## IDENTIFICATION OF THE PARTS

1. Control unit UP 2.0
2. 24Vdc geared motor with encoder
3. Reduction unit
4. Full range power supply 100 ÷ 240Vac 50/60 Hz
5. Side head
6. Aluminum frame
7. Arm attachment bushing
8. Carter in aluminum



AC69632 UP 2.0 BATTERIES KIT

## UP 2.0 with articulated arm cod. AA12050B for outside openings



[\*] If needed, use the extension bush ACG9485 to increase the gap "A" between the automation and the arm to 72 mm.



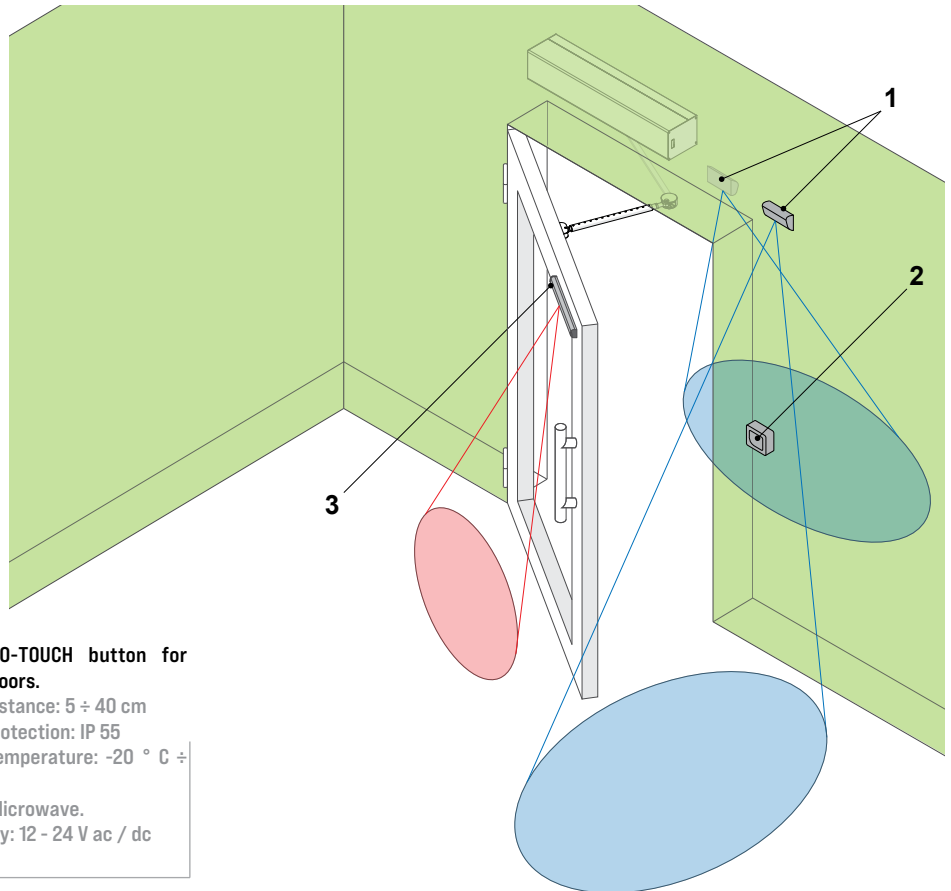
Articulated arm



ACG9485 Extension bush

## UP 2.0 with articulated arm

- 1 - ACG9420B Microwave radar. IP30
- 2 - ACG9475B Multifunction rotary switch for swing door.  
wall-mounted/embedded - IP 54
- 3 - ACG9478 Safety sensor for swing door.  
DIN 18650 / EN16005. IP 54



### ACG5527 NO-TOUCH button for automatic doors.

Detection distance: 5 ÷ 40 cm  
Degree of protection: IP 55  
Operating temperature: -20 ° C ÷ + 60 ° C  
Operation: Microwave.  
Power supply: 12 - 24 V ac / dc

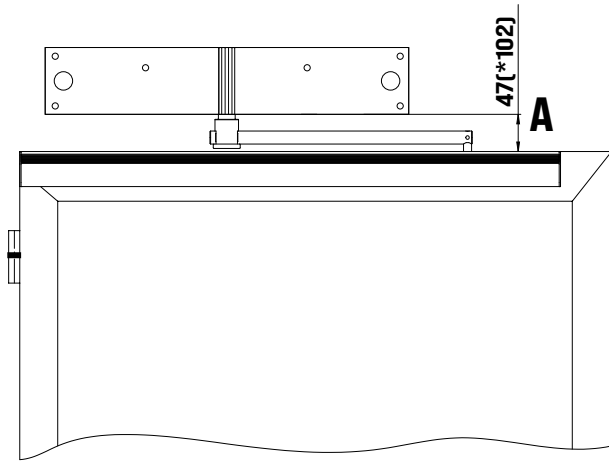


ACG9475B Multifunction rotary switch for swing door  
wall-mounted/embedded - IP 54



ACG9474B Multifunction rotary switch with key for swing door  
wall-mounted/embedded - IP 54

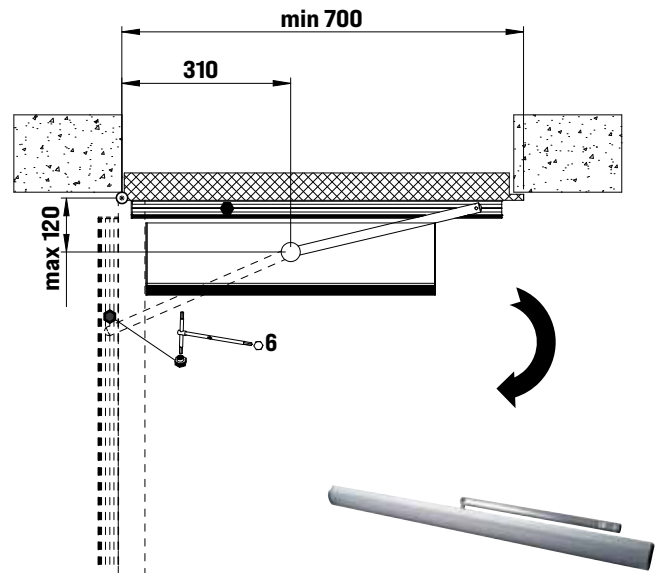
## UP 2.0 with sliding arm cod. AA12052B for inside openings



[\*] If needed, use the extension bush ACG9485 to increase the gap "A" between the automation and the track to 102 mm.



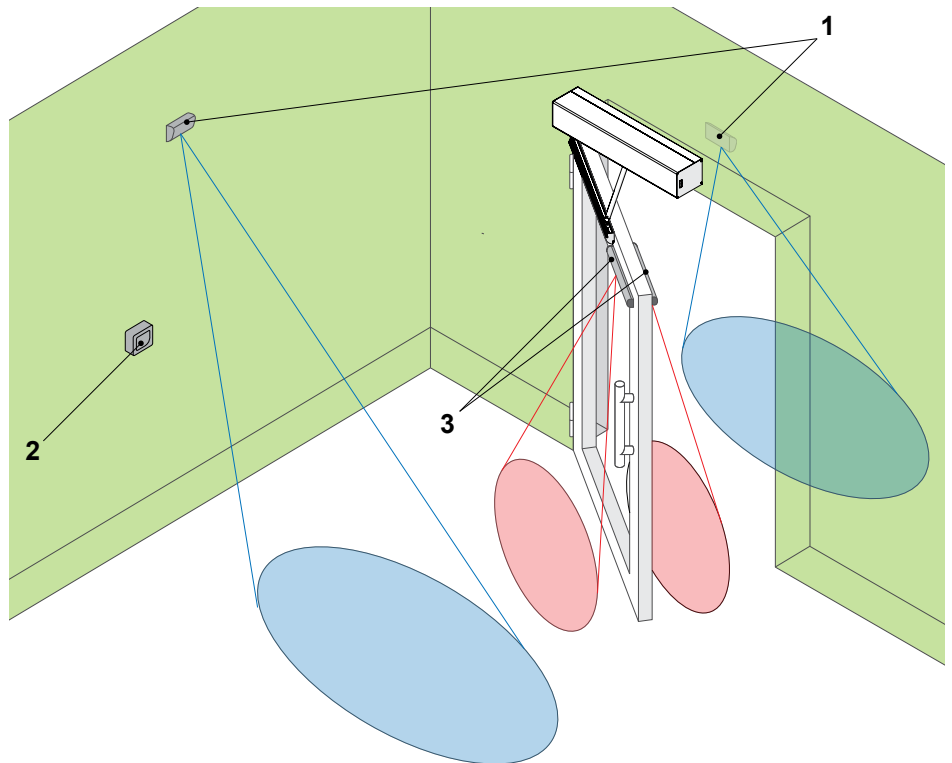
ACG9485 Extension bush



Sliding arm

## UP 2.0 with sliding arm

- 1 - ACG9420B Microwave radar. IP30
- 2 - ACG9475B Multifunction rotary switch for swing door.  
wall-mounted/embedded - IP 54
- 3 - ACG9478 Safety sensor for swing door.  
DIN 18650 / EN16005. IP 54



**ACG9420B MICROWAVE RADAR**  
Fitting height H 1,8÷4 m  
24.125 GHz - -20÷+60 °C  
IP 54 - 120x64x44



**ACG9478 Safety radar for swing door**  
Max fitting height H 2,7 m  
EN 16005. DIN 18650.  
IP 54 - 350x31x20