

PRESIDENT PED



PEDESTRIAN ACCESS CONTROL



PRESIDENT PED: THE REVOLUTION OF THE PEDESTRIAN ACCESS CONTROL

Automatic access control with face recognition and body temperature check.

- It checks the body temperature and allows the entrance only to people whose temperature is within the safety standard levels.
- It detects the presence of the face mask and therefore allows the entrance to those who are wearing it.
- PRESIDENT PED comes with a flexible boom arm made of rubber to guarantee an obstacle free emergency exit.
- An optional microwave sensor can be installed on the barrier to command an automatic opening for the exit.
- The barrier can be fixed to the ground by means of expansion bolts or base plate ACG8119.
- Manual operation in case of power failure.
- Soft start and soft stop.
- Adjustable impact sensor for the obstacle detection.
- Stop command.
- Adjustable auto-closing
- Guaranteed operation also in case of power failure and up to 180 cycles (with the optional batteries and battery charger card).
- Further options and commands are available through our Bluetooth, LAN and WLAN cards and module.

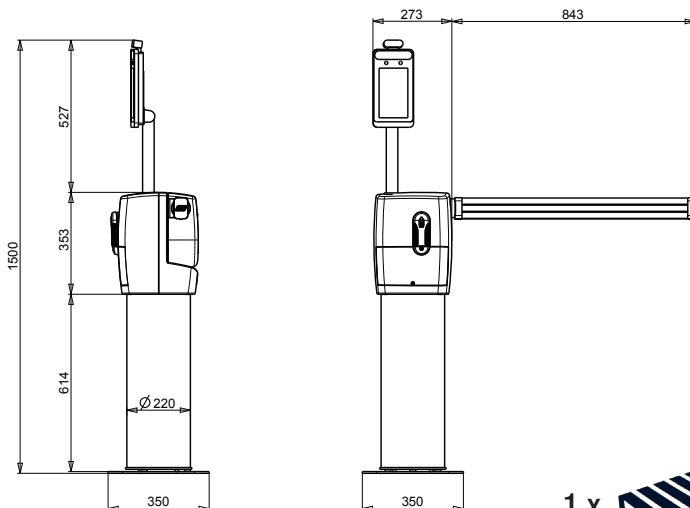
FOR BOOM UP TO 0,84 m LONG - OPENS IN 3 SECONDS

AA50110	PRESIDENT PED
AD50110	KIT PRESIDENT PED with TERMOSCANNER PROIPF01TC

* P1 24V-CRX - To see all its many features see pages 134 and 144



GAR0045	Warranty extension 4 years for PRESIDENT PED
GAR0046	Warranty extension 7 years for PRESIDENT PED

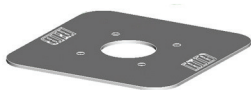


Dimensions in mm



TECHNICAL DATA		PRESIDENT PED
Max. boom length	m	0,84
Opening time	s	3
Max. torque	Nm	100
Power supply	V	230
Power absorbed	A	0,32
Actuator weight	kg	40
Protection grade	IP	30
Operating temperature	°C	-10 ÷ +55
Daily cycles suggested		600
Service	%	100
Nr of consecutive cycles guaranteed		600

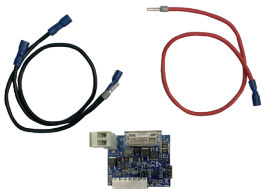
ACCESSORIES FOR PRESIDENT PED



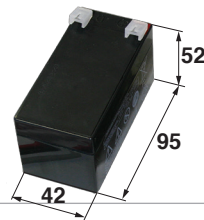
ACG8119 BASE PLATE
for support on the ground



ACG9420B MICROWAVE RADAR
adjustable from 0 ÷ 45 °
24.125 GHz - -20÷+60 °C
IP54 - 120x64x44



ACG4774 BATTERIES CHARGER
for P1 24V-CRX - It manages 2
batteries ACG9511 (or up to 12
Ah each) and can be connected
to STECA SOLSUM 10.10F solar
charge controller with 1 solar
panel of 24V 100 W (or 2 by 12V
50 W connected in series)

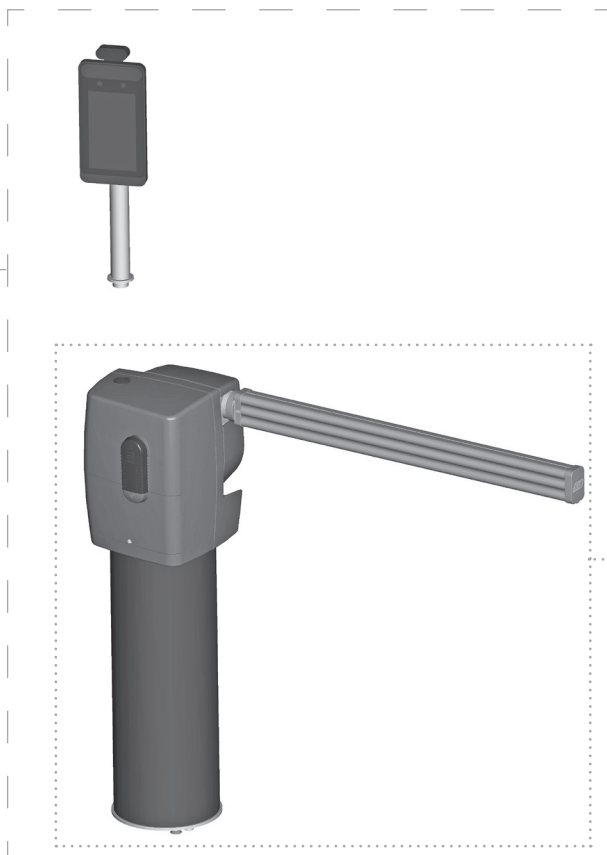


ACG9511 BATTERY
1,2Ah 12V (order 2 pieces for each
BATTERIES CHARGER ACG4774)



135

PRESIDENT PED + THERMAL SCANNER
code AD50110



PRESIDENT PED code AA50110



BASE PLATE PRESIDENT PED
code ACG8119



Video presentation