

RIB has the right to modify any technical data and colours of its products at any time without prior notice. Installation must be carried out according to local regulations and laws.



Products in this catalog allow the installation of automatic gates fully harmonized with European standards in force



This product has been completely developed and built in Italy

COMPANY WITH
QUALITY SYSTEM
CERTIFIED BY DNV GL
= ISO 9001 =



25014 CASTENEDOLO (BS) - ITALY
Via Matteotti, 162
phone +39 030 2135811
fax +39 030 21358278 - 030 21358279
www.ribind.it - ribind@ribind.it



<https://www.linkedin.com/company/rib-srl>



<https://www.facebook.com/RIBsrl>



<https://www.youtube.com/user/RIBSRL>

K

OPERATORS FOR SLIDING GATE WEIGHING UP TO 2200 KG

RELIABILITY BECOMES STYLE



K400



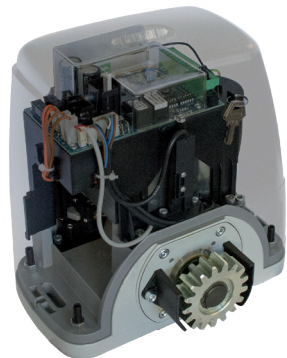
K500 - K500 FAST



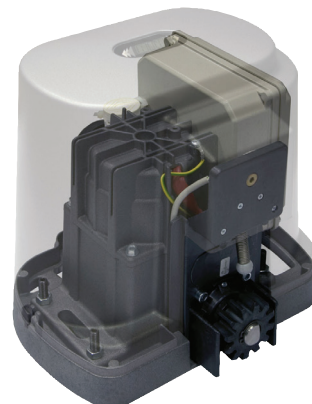
K800 24V FAST - K800 - K800 FAST
K1400 - K2200



AUTOMATISMI PER CANCELLI
AUTOMATIC ENTRY SYSTEMS



K400



K500 - K500 FAST



K800 24V FAST



K800 - K800 FAST
K1400 - K2200

K400

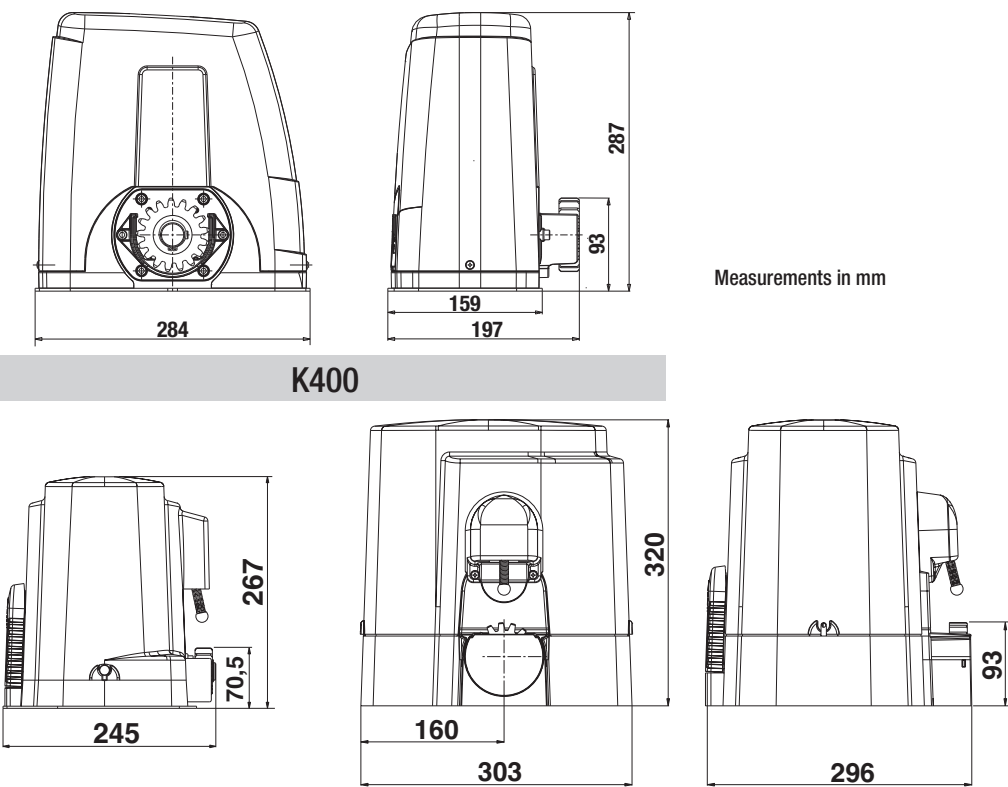
K400 is the new RIB operator for sliding gates weighing up to 400Kg. It is available with magnetic or electro-mechanical limit switches. This Wi-Fi system in particular, is the world-wide news that brings in a single electronic card all the normal functions of gate automation management and above all the wireless management of photocells, safety edges, blinkers, etc., obviously without having to connect any wire from the control panel to these accessories ! Control board L1 24V-CRX can handle up to 1000 SUN codes or 1000 SUN-PRO remotes. The memory of the remote controls codes can be removed to facilitate the maintenance. Control board L1 24V-CRX can change the speed of the K400 from 9 to 20 m/min by means of the RUN trimmer. K400 is equipped with built-in heater with temperature sensor. The base plate provided allows height adjustment and fixing to the ground with expansion screws or through cementation of its preformed brakets. Adjustable deceleration when approaching the end of the run. The manual operation release is fitted with a switch that controls the automatic repositioning of the gate in slow speed when functioning is restored. K400 can do 30 cycles with two 1,2 Ah batteries during a blackout. K400 is equipped with an encoder for mapping electrical currents in order to automatically adjust impact sensitivity and in order to determine slowing phases correctly.

K500 - K500 FAST

K500 is an operator designed for the automatic operation of sliding gates and doors up to 500 kg of weight. Easy and functional, it can be used for any type of entrances of detached houses and apartment blocks. With a 5 meters long gate it allows to obtain until 25 consecutive cycles guaranteed before entering in pause of overheating. The included fixing plate allows the adjustment in height and the fixing on the ground with expansion screws or by cementating of its preformed brakets. K500 can be fitted on the same base plate of our old K5 (no longer in production). Release lock with personalized key or allen key. Driving gear in syntherized steel. Adjustable deceleration when approaching the end of the run. Available also in FAST version, twice as fast as standard one. K500 operator is endowed K-CRX with safeties self-test procedure, according to EN12453 Norms.

K800 24V FAST - K800 - K800 FAST - K1400 - K2200

K means a series of operators intended for sliding gates weighing up to 2200 kg. It is available for an easy and functional use anywhere from detached or semi-detached houses, apartment blocks to large company premises. They are available with Magnetic or Electro-mechanical limit switches. K800 and K800 24V FAST are operators suitable for up to 300 cycles a day. K800 FAST operator is suitable for up to 400 cycles a day. K800 24V FAST and K800 FAST are twice as fast as the standard ones and they are endowed with encoder for a precise slowing down. The K1400 operator is advised in order to execute until 400 cycles to the day. The K2200 operator is advised in order to execute until 500 cycles to the day. Equipped with built-in control board, without radio receiver, with gradual start, electronic adjustment of the force, soft-stop in approaching and electronic brake (as standard features). It is possible to add an OPTICAL ENCODER to detect impacts against obstacles choosing the SET PLUS accessory. With SET PLUS accessory, the ENCODER detects when the gate comes into contact with any obstacle, and reverses the movement of the gate (not available for K800 FAST). All the K operators have adjustable deceleration when approaching the end of the run, giving a greater feeling of safety and fluidity. K800 24V FAST version with buffer battery means that black-outs will pass totally unnoticed. Release is available with personalized key or allen key as optional. L1 24V-CRX and L1-CRX control boards can be handled remotely by Bluetooth and Wi-Fi using specific cards APP and APP+ with its modules (Check RIB main Catalogue to discover main features of control panels and their specific accesories)



K500 - K500 FAST

K800 24V FAST - K800 - K800 FAST - K1400 - K2200

| TECHNICAL DATA | | K400 | K500 | K500 FAST* | K800 24V FAST | K800 | K800 FAST* | K1400 | K2200 |
|-------------------------------|-----|-----------|-------------|------------|---------------|-------------|------------|--------|-------|
| Max. gate weight | kg | 400 | 500 | | 800 | | 1400 | | 2200 |
| Operating speed | m/s | 0,15÷0,33 | 0,16 | 0,35 | 0,22÷0,40 | 0,16 | 0,33 | 0,16 | |
| Max thrust force | N | 434 | 400 | 520 | 550*** | 600 | 700 | 790 | 1150 |
| Max torque | Nm | 14,7 | 9,5 | 12,5 | 18,5*** | 20,4 | 24 | 27 | 39 |
| Power absorbed from main line | W | 70 | 229 | 376 | 108 | 287 | 408 | 257 | 247 |
| Absorption | A | 1 | 1,21 | 1,97 | 0,47 | 1,38 | 2,08 | 1,18 | 1,1 |
| Rack Module | M | 4 | | | | | | | |
| Weight of operator | kg | 10,4 | 8 | | 13 | 10,5 | 12,3 | | 14 |
| Grade | IP | 44 | 54 | | 44 | | | | |
| Daily cycles suggested | n° | 78 | 300 | 200 | 300 | | 400 | | 500 |
| Service | % | 100 | 60 | | 100 | 50 | 70 | | |
| Guaranteed consecutive cycles | n° | 16/5m | 25/5m | | 60/10m | 8/6m | 21/10m | 15/10m | |
| Operating temperature | °C | -10 ÷ +55 | -10 ÷ +55** | | -10 ÷ +55 | -10 ÷ +55** | | | |

* - High speed operator - Intended only for passage of vehicles - To be fit only in site not intended in any case for pedestrian passage. It is endowed with encoder for precise slowing down - Make sure that appropriate safety devices are used as shown in EN12445 to avoid that something or somebody could be hit by the gate - To use metal RIB rack only. FAST OPERATORS are not suitable for installations in which the mobile gate leaf ends against a post, a U shape bar, because the knocking of gate against these fixed parts cannot always be prevented. The best solution for using FAST OPERATORS is when the gate leaf ends up next to the posts.

** - up to -30°C with probe ACG4665
*** - With L1 24V-CRX control panel